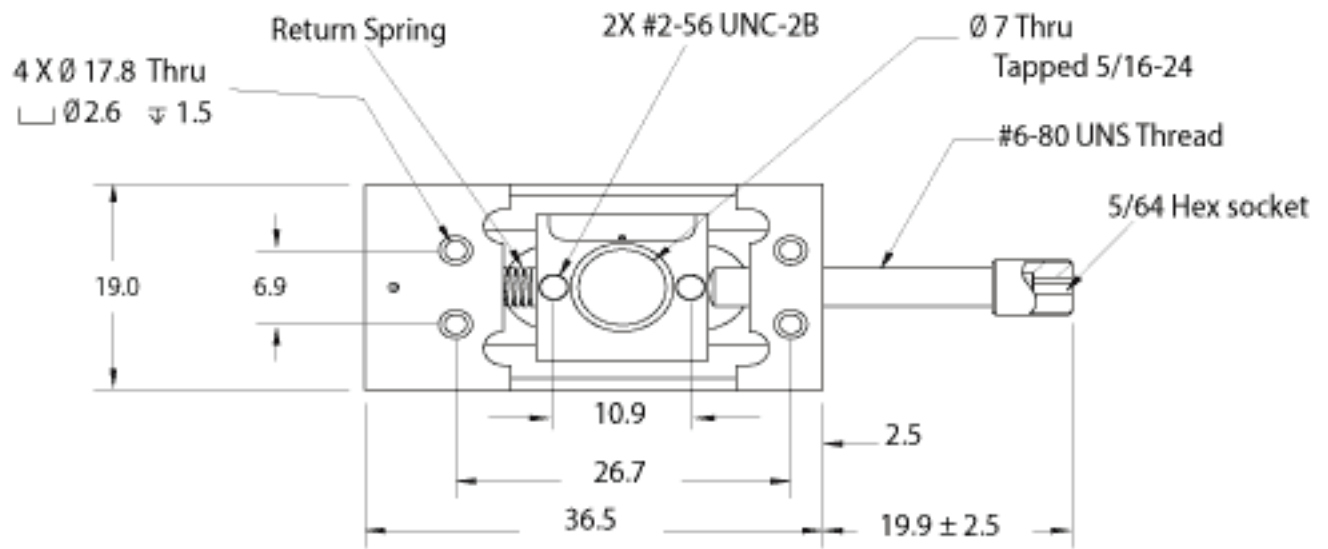
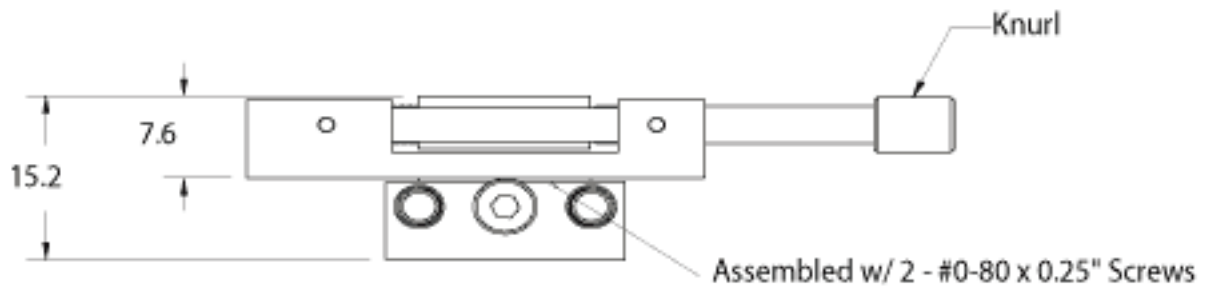




MM-2CR (mm)



Top View
(X Axis Shown)



Front View
(X-Y Axis Configuration Shown)