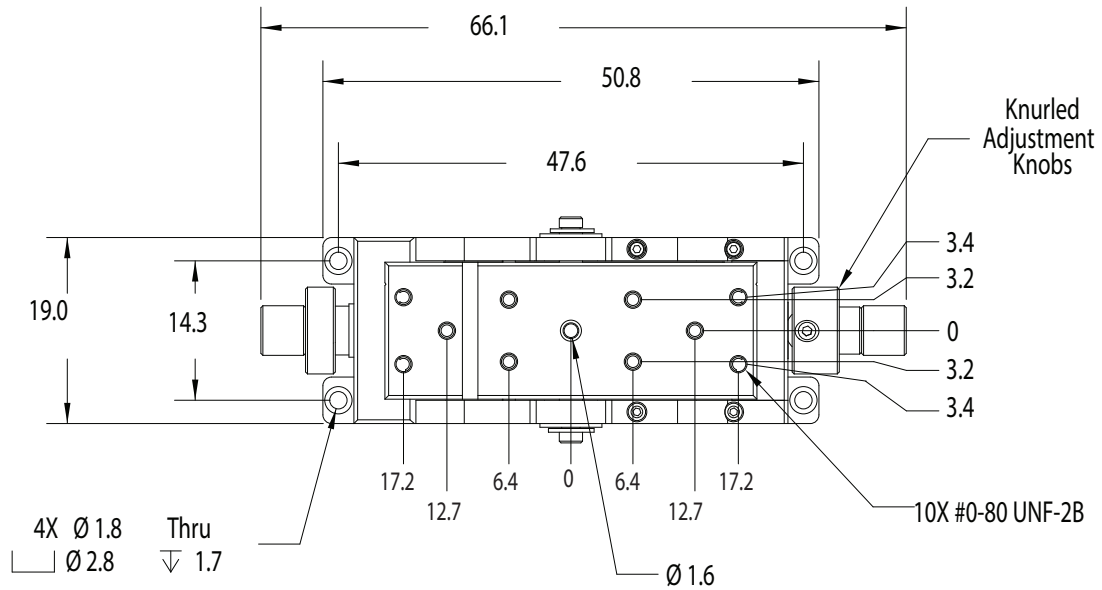


MM-3M-G-25



- Radius: 25mm
- Max Speed
 - 40 mrad/sec
 - 2.5 deg/sec
- Resolution
 - 0.6 avg μ rad/count
 - 3.5E-5 deg/count
 - 0.1 arcsecond/count

