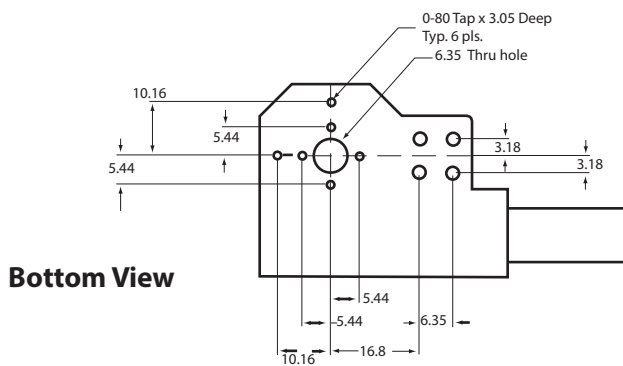
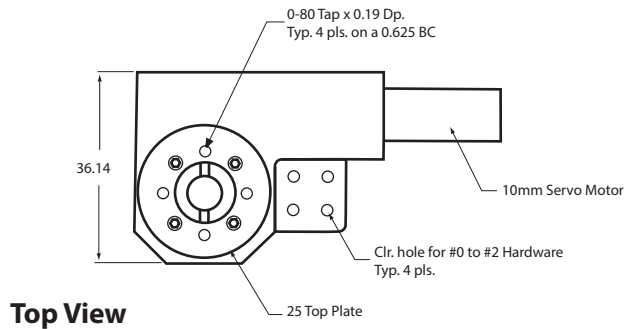
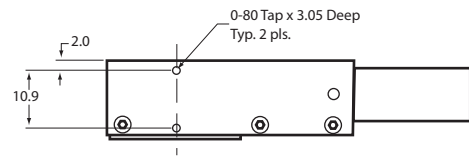
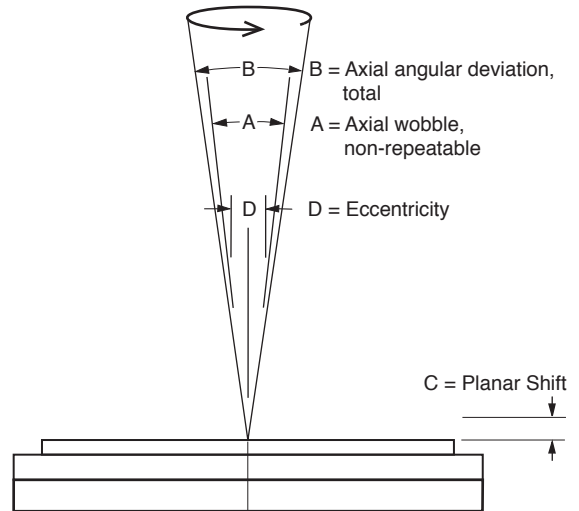


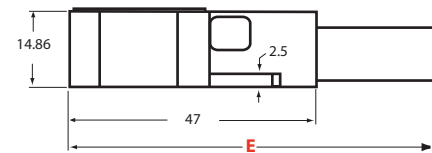
## MM-3M-R (mm)



Gearhead Ratio	16:1	64:1	256:1	1024:1
Resolution/Count: (μrad/count)	122.7185	30.6796	7.6699	1.9175
Dimension E: (mm)	70.1	72.1	75.2	78.2



### Back View



### Front View

Description	MM-3M-R-ST	MM-3M-R-A	MM-3M-R-B
A. Axial wobble, (axial angular repeatability)	300 μrad	10 μrad	10 μrad
B. Axial angular deviation, total	300 μrad	300 μrad	10 μrad
C. Planar shift, total	1.2 μm	0	0
D. Eccentricity (runout)	3.0 μm	3.0 μm	3.0 μm
Direct Top Load maximum:	2.0 kg	0.5 kg	0.5 kg
Moment load, maximum:	500 mNm	90 mNm	90 mNm

NOTE: the above specifications apply to horizontal mounting (load vertical).

For vertical mounting (load horizontal), the top load and moment load values are 1/2 the above.

Specifications apply to internal bearing. Rotary table is not aligned perfectly with bearing. Mounting of customer components will require adjustments to align with bearing.