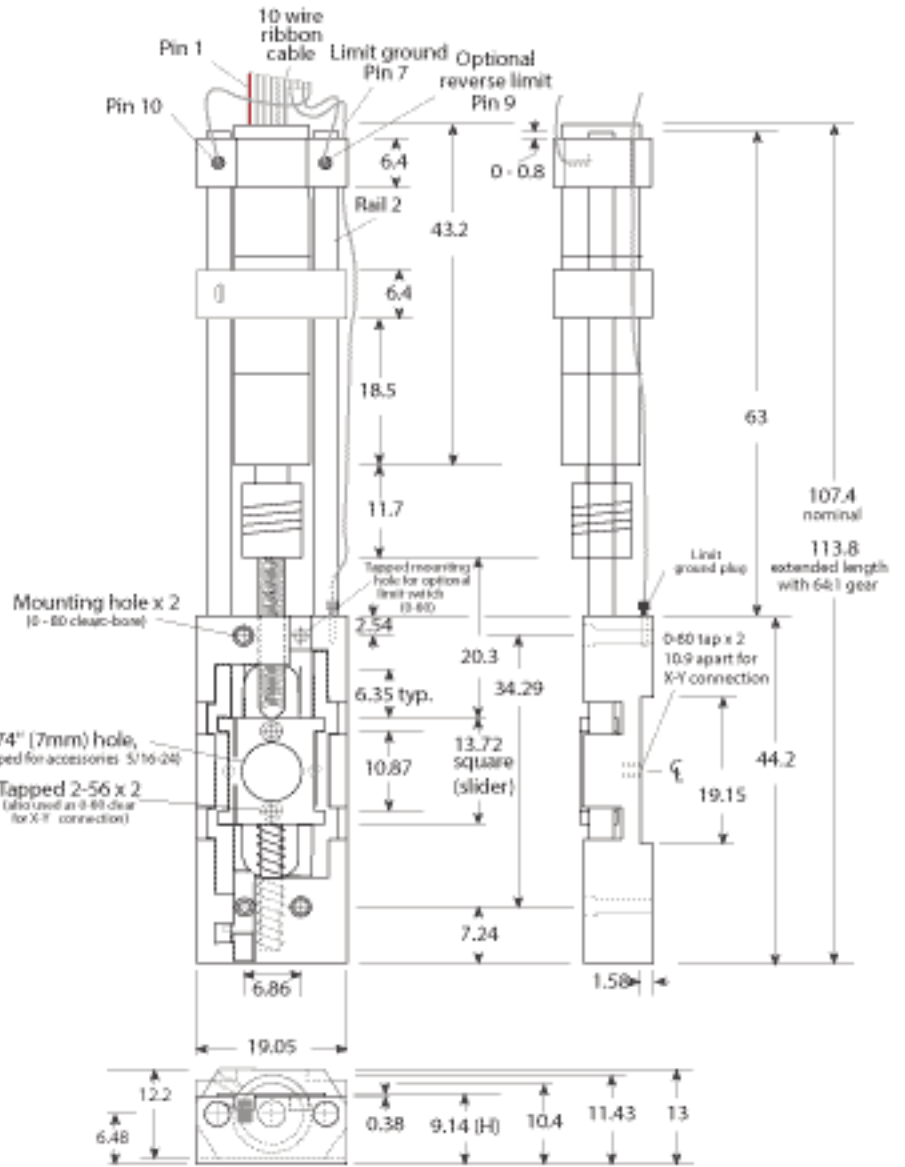
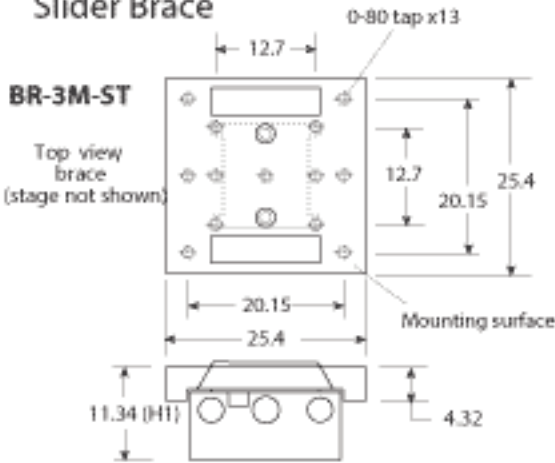


MM-3M-ST (mm)



Optional Crash Resistant Slider Brace



Note: Symmetry is applicable wherever implied

Note: Crash resistance is in XY plane only Z axis is not recommended on this version.

